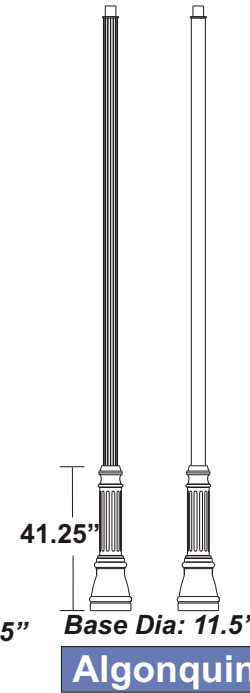
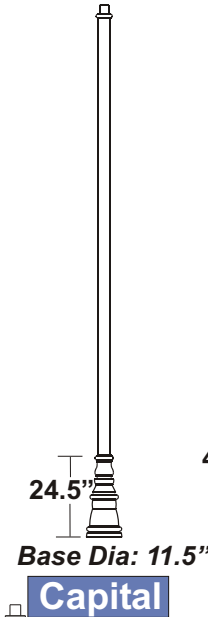
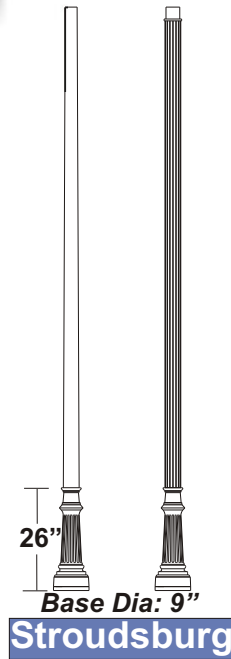
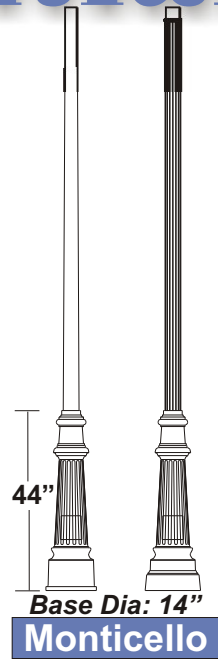
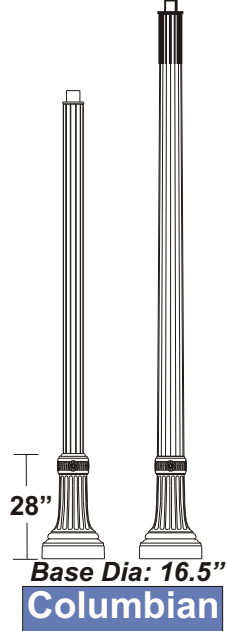
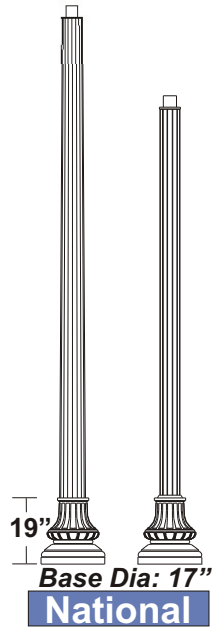
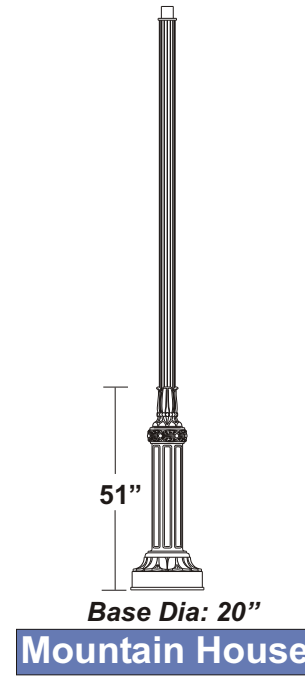
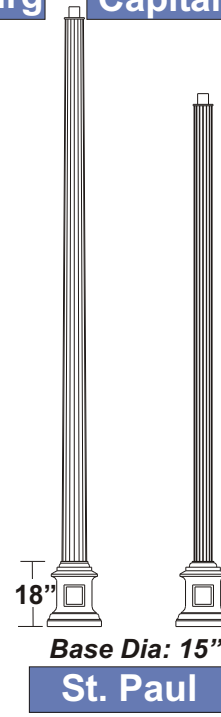
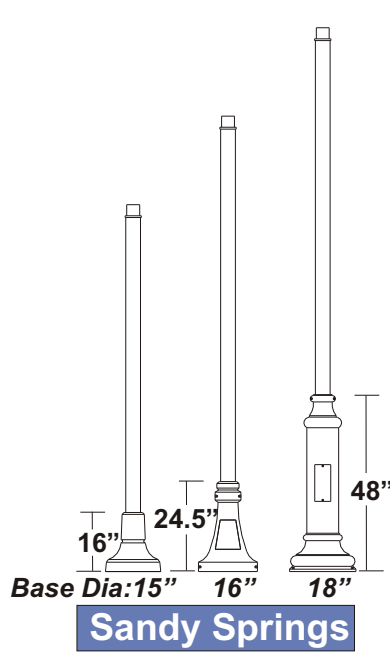
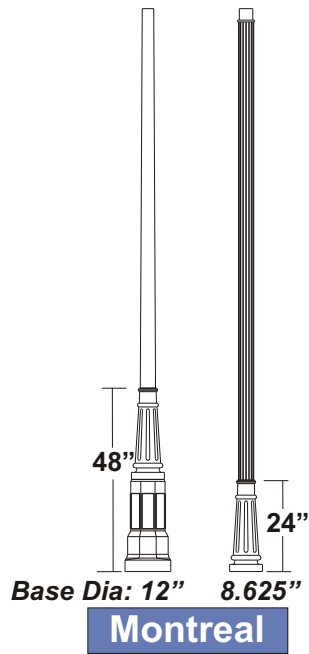
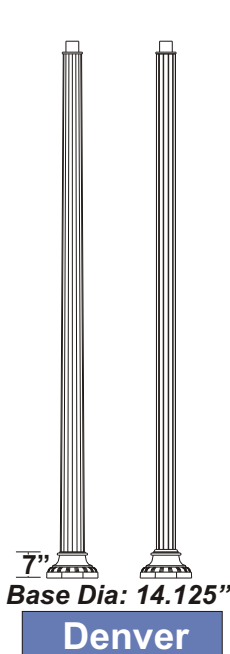


DEVELOPER SERIES

Residential



Shapes Available



**Union Metal
CORPORATION**

1432 Maple Ave
Canton, OH 44705
Ph: 330-456-7653
Fax: 330-456-0628

e-mail:
sales@unionmetal.com

website:
www.unionmetal.com